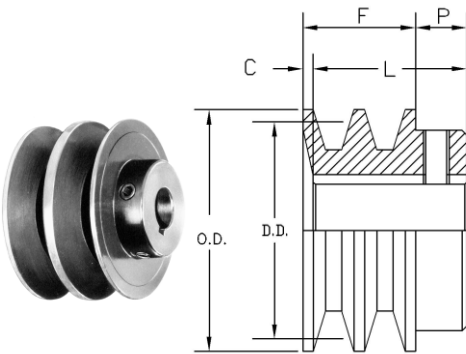




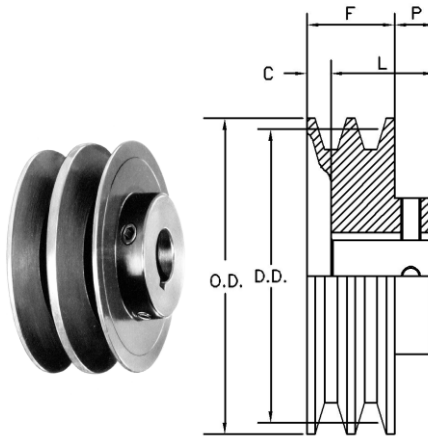
Hi-Q® cast iron sheaves-two groove for both "O" (3L) and "A" (4L) belts

STYLE 1



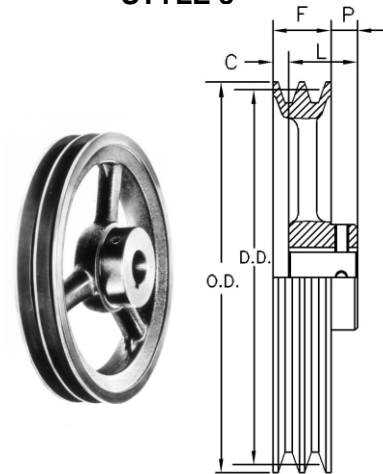
2AK20 - 2AK34

STYLE 2



2AK39 - 2AK51

STYLE 3



2AK54 - 2AK184

DIAMETERS IN INCHES			Part Number	Original Maurey Number	STOCK BORES MARKED "X" ^										DIMENSIONS IN INCHES				Overall Length Inches	Approx. Weight in LBS.
Outside	Datum "A" Belt	Datum "O" Belt			1/2	5/8	3/4	7/8	1	1-1/8	1-3/16	1-1/4	1-3/8	1-7/16	F	L	P	C		
2.00	1.7		2AK20	D2200	X	X	X	X							1-3/8	1-21/32	15/32	3/16	1-27/32	0.8
2.15	1.9	1.6	2AK21	---	X	X	X	X							1-3/8	1-21/32	15/32	3/16	1-27/32	0.9
2.25	2.0	1.7	2AK22	D2225	X	X	X	X	X						1-3/8	1-21/32	15/32	3/16	1-27/32	0.9
2.35	2.1	1.8	2AK23	---	X	X	X	X	X						1-3/8	1-21/32	15/32	3/16	1-27/32	1.1
2.45	2.2	1.9	D2250	---	X	X	X	X	X	X					1-3/8	1-11/16	7/16	0	1-11/16	1.4
2.55	2.3	2.0	2AK25	---	X	X	X	X	X						1-3/8	1-21/32	15/32	3/16	1-27/32	1.3
2.65	2.4	2.1	2AK26	---	X	X	X	X	X						1-3/8	1-21/32	15/32	3/16	1-27/32	1.4
2.75	2.5	2.2	2AK27	D2275	X	X	X	X	X	D2275**					1-3/8	1-21/32	15/32	3/16	1-27/32	1.5
2.85	2.6	2.3	2AK28	---	X	X	X	X	X						1-3/8	1-21/32	15/32	3/16	1-27/32	1.8
2.95	2.7	2.4	D2300	---	X	X	X	X	X	X					1-3/8	1-7/8	5/8	1/8	2	2.4
3.05	2.8	2.5	2AK30	---	X	X	X	X	X	X					1-3/8	1-21/32	15/32	3/16	1-27/32	1.8
3.25	3.0	2.7	2AK32	D2325	X	X	X	X	X	X					1-3/8	1-21/32	15/32	3/16	1-27/32	2.1
3.45	3.2	2.9	2AK34	D2350	X	X	X	X	X	X					1-3/8	1-21/32	15/32	3/16	1-27/32	2.3
3.75	3.5	3.2	2AK39	D2380	X	X	X	X	X	X					1-3/8	1-11/32	15/32	3/16	1-27/32	2.6
3.95	3.7	3.4	2AK41	D2400	X	X	X	X	X	X					1-3/8	1-11/32	15/32	1/2	1-27/32	2.9
4.25	4.0	3.7	2AK44	D2425		X	X	X	X	X					1-3/8	1-11/32	15/32	1/2	1-27/32	3.0
4.45	4.2	3.9	2AK46	D2450		X	X	X	X	X					1-3/8	1-11/32	15/32	1/2	1-27/32	3.1
4.75	4.5	4.2	2AK49	D2480		X	X	X	X	X					1-3/8	1-11/32	15/32	1/2	1-27/32	3.6
4.95	4.7	4.4	2AK51	D2500		X	X	X	X	X					1-3/8	1-11/32	15/32	1/2	1-27/32	3.8
5.25	5.0	4.7	2AK54	D2525		X	X	X	X	X					1-3/8	1-11/32	15/32	1/2	1-27/32	3.3
5.45	5.2	4.9	2AK56	D2550		X	X	X	X	X					1-3/8	1-11/32	15/32	1/2	1-27/32	3.4
5.75	5.5	5.2	2AK59	D2580			X	X	X	X	X				1-3/8	1-11/32	15/32	1/2	1-27/32	3.5
5.95	5.7	5.4	2AK61	D2600		X	X	X	X	X				X	1-3/8	1-11/32	15/32	1/2	1-27/32	3.6
6.25	6.0	5.7	2AK64	---			X	X	X	X					1-3/8	1-19/32	11/32	1/8	1-23/32	4.8
6.45	6.2	5.9	D2650	---			X	X	X	X					1-3/8	1-5/8	5/8	3/8	2	5.4
6.95	6.7	6.4	D2700	---			X	X	X	X					1-3/8	1-5/8	5/8	3/8	2	6.1
7.25	7.0	6.7	2AK74	D2725		X	X	X	X	X					1-3/8	1-19/32	11/32	1/8	1-23/32	5.6
7.95	7.7	7.4	D2800	---			X	X	X	X	X				1-3/8	1-5/8	5/8	3/8	2	6.7
8.25	8.0	7.7	2AK84	---			X	X	X	X	X				1-3/8	1-19/32	11/32	1/8	1-23/32	6.4
8.95	8.7	8.4	D2900	---			X	X	X	X	X				1-3/8	1-5/8	5/8	3/8	2	9.0
9.25	9.0	8.7	2AK94	D2925			X	X	X	X	X				1-3/8	1-19/32	11/32	1/8	1-23/32	7.3
9.95	9.7	9.4	D3100	---			X	X	X	X	X	X			1-3/8	1-5/8	5/8	3/8	2	9.9
10.25	10.0	9.7	2AK104	D3103			X	X	X	X	X	X			1-3/8	1-19/32	11/32	1/8	1-23/32	8.1
10.95	10.7	10.4	D3110	---			X	X	X	X	X	X			1-3/8	1-5/8	5/8	3/8	2	11.4
11.25	11.0	10.7	2AK114	---			X	X	X	X	X	X			1-3/8	1-19/32	11/32	1/8	1-23/32	9.0
11.95	11.7	11.4	D3120	---			X	X	X	X	X	X			1-3/8	1-5/8	5/8	3/8	2	11.6
12.25	12.0	11.7	2AK124	D3123			X	X	X	X	X	X			1-3/8	1-19/32	11/32	1/8	1-23/32	9.8
13.25	13.0	12.7	2AK134	---						X	X	X			1-3/8	1-19/32	11/32	1/8	1-23/32	12.3
14.25	14.0	13.7	2AK144	D3143					X	X	X	X			1-3/8	1-19/32	11/32	1/8	1-23/32	13.9
15.25	15.0	14.7	2AK154	D3153					X	X	X	X			1-3/8	1-19/32	11/32	1/8	1-23/32	14.3
18.25	18.0	17.7	2AK184	D3183					X	X	X	X	X		1-3/8	1-19/32	11/32	1/8	1-23/32	17.4

** Bore Size Available in Only Maurey Original Design. Specify Original Maurey Part Number When Ordering.

^ For Standard Keyway Dimension Refer to Page A-2